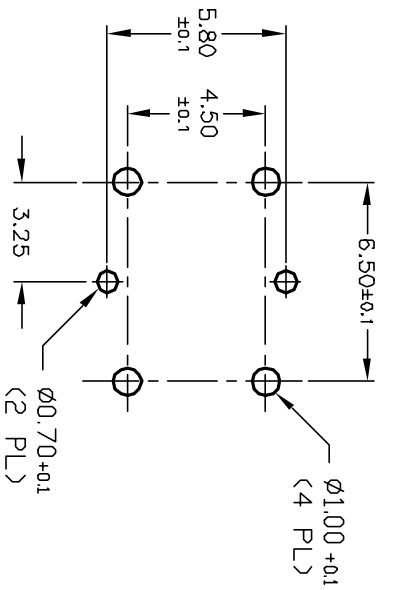
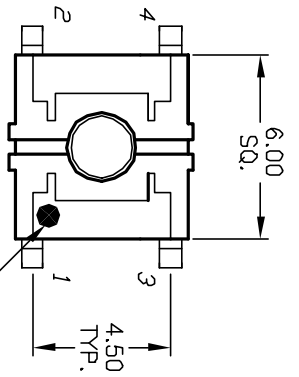


L.E.D. INFO.

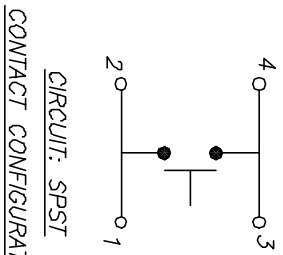
PARAMETERS	SYMBOL	Forward Voltage	UNITS
POWER DISTRIBUTION	P_D	100	mV
AVE FORWARD CURRENT	I_F	30	mA
PEAK FORWARD CURRENT	I_{PF}	120	mA
REVERSE VOLTAGE	V_R	5	V
FORWARD VOLTAGE	F_V	2.5	V
PEAK EMISSION WAVELENGTH	λ_D	660	nm
REVERSE CURRENT	I_R	100	μA
LUMINOUS CURRENT	I_V	22	mcd



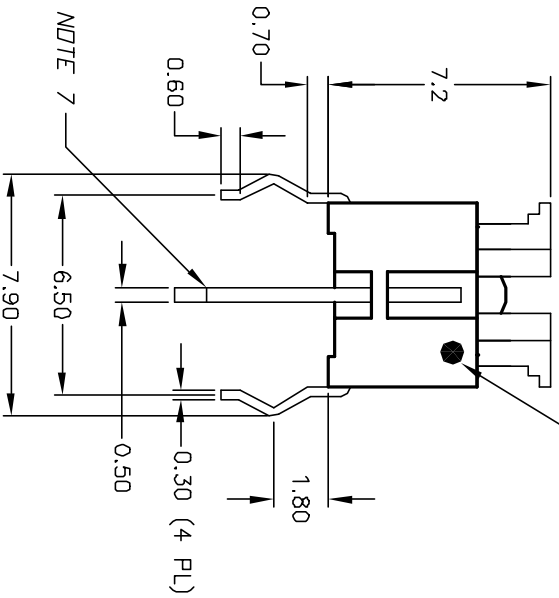
RECOMMENDED P.C.B. LAYOUT



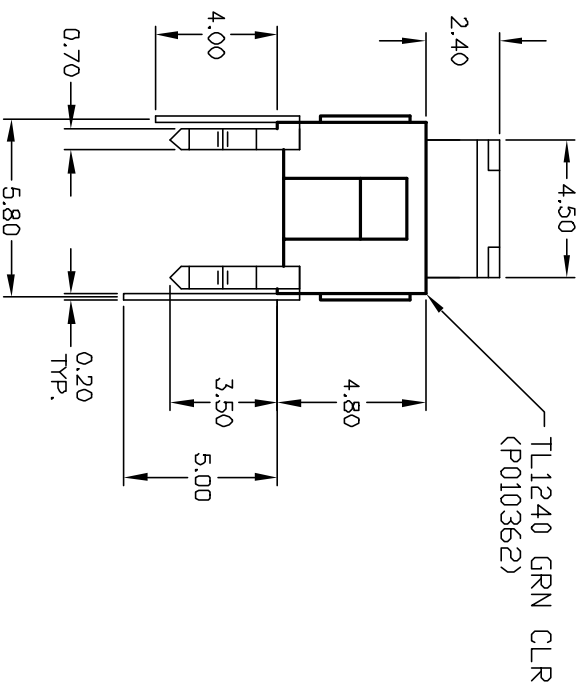
PAINT DOT
NOTE 8



CIRCUIT: SPST
CONTACT CONFIGURATION



NOTE 7



TL1240 GRN CLR
(P010362)

NOTES:

1. ALL DIMENSIONS IN MM
2. GENERAL TOLERANCE: X.X=±0.4 X.XX=±0.25
3. RATING: 50mA, 12VDC
4. TRAVEL: 0.25 +0.2/0.1mm
5. OPERATING FORCE: 160±50gf
6. CONTACT RESISTANCE: 100mΩ-Ohms Max
7. SHORTER LEAD, WITH COLOR IS NEGATIVE (CATHODE)
8. USE PARTHA PAINT, PINK FLOURESCENT SHADE NO. 77-821 APPLY WITH TOOTHPICK OR OTHER SHARP OBJECT.

E-SWITCH®

TL1240GRN W/DDT

REV.	ECN No.	DESCRIPTION	DATE	CHKD
B	11324	REVISED	3/26/01	CJB

TITLE	SCALE	DATE	DR	DWG	REV
TL1240GRN W/DDT	4:1	3/26/01	CJB	XP00584	B

THE INFORMATION CONTAINED IN THIS DOCUMENT IS PROPRIETARY TO E-SWITCH AND IS NOT TO BE COPIED OR TRANSMITTED